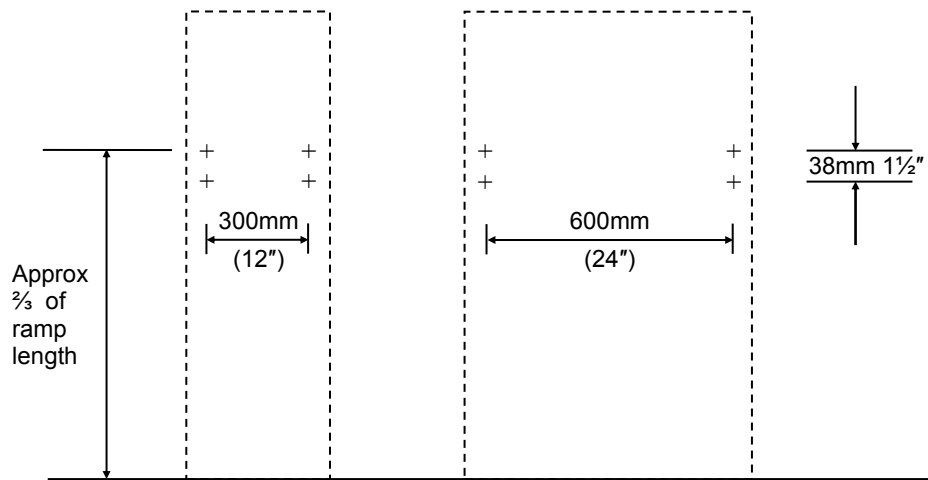




Aerolight Wall Strap Kit Code: AWK

Holds all Aerolight ramps against wall vertically

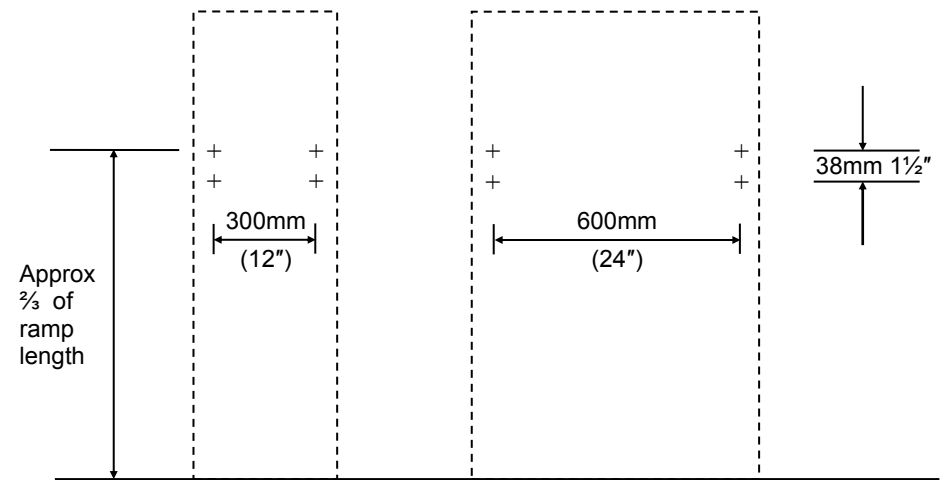


The crosses marked are location of the retainer clip screw holes.



Aerolight Wall Strap Kit Code: AWK

Holds all Aerolight ramps against wall vertically



The crosses marked are location of the retainer clip screw holes.

Place strap behind retainer clips.



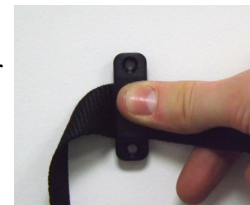
Place ramp against wall and secure with strap. Adjust strap to correct tension. Excess strap may be cut off and discarded.



Fix retainer clips in position as shown above, using suitable fixings.



Place strap behind retainer clips.



Place ramp against wall and secure with strap. Adjust strap to correct tension. Excess strap may be cut off and discarded.



Fix retainer clips in position as shown above, using suitable fixings.

